



Parker Performance Stainless offers a sanitary Butterfly Valve which has been built to exacting production specifications. These valves perform reliably in the most hostile environment.

Our Butterfly Valves are built for uncompromising quality and functionality. Valves are available with 12 position handles for multiple flow options. Valves can also be supplied with optional single and double acting air actuation.

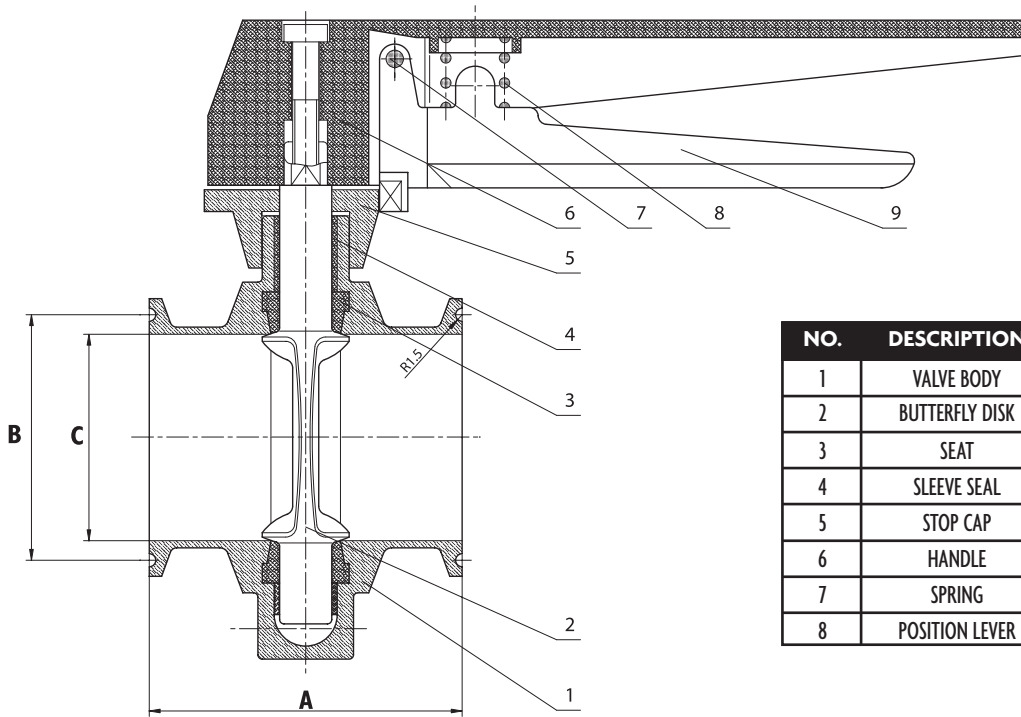
Valves are manufactured from 316 stainless and feature clamp connections as standard. Other connections available upon request.



TECHNICAL FEATURES

MATERIAL & ELASTOMERS	- 316 stainless steel (wetted parts), platinum cured silicon seats (others available)
AVAILABLE SIZES	- 1.00", 1.50", 2.00", 2.50", 3.00", 4.00", & 6.00"
SURFACE FINISH	- 32 RA Mechanical Sanitary Polish
CONNECTIONS	- Sanitary Clamp (standard), weld connection available
ACTUATION	- A variety of actuation options are available
MAX PRESSURE	- 1.0" - 4.0" to 145psi at 68°F (20°C), 6.0" to 90psi at 68°F (20°C)
MAINTENANCE /	- No special tools required
TEMPERATURE/VACUUM	- Vacuum to 14.2psi at 68°F (20°C), temperature rating: 15°F to 200°F (10° to 95°C)
OTHER FEATURES	- USDA approved design, 12 position handle, Derlin bushings

Bulletin 4270-BFLY



NO.	DESCRIPTION	UNITS	MATERIAL
1	VALVE BODY	1	316
2	BUTTERFLY DISK	1	316
3	SEAT	1	SILICONE
4	SLEEVE SEAL	1	
5	STOP CAP	1	316
6	HANDLE	1	PHENOLIC
7	SPRING	1	
8	POSITION LEVER	1	

ORDER INFORMATION

SIZE	PART NO.	A (in)	B (in)	C (in)
1.0	BFLY-1.0-C-316-PX	64	50.4	43.5
1.5	BFLY-1.5-C-316-PX	72	50.4	43.5
2.0	BFLY-2.0-C-316-PX	72	63.9	56.5
2.5	BFLY-2.5-C-316-PX	76	77.5	70.5
3.0	BFLY-3.0-C-316-PX	76	90.9	83.5
4.0	BFLY-4.0-C-316-PX	104	118.9	110.3
6.0	BFLY-6.0-C-316-PX			