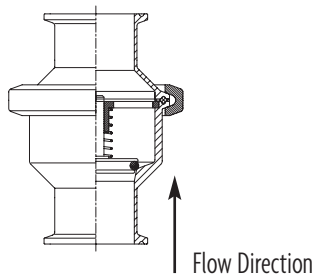
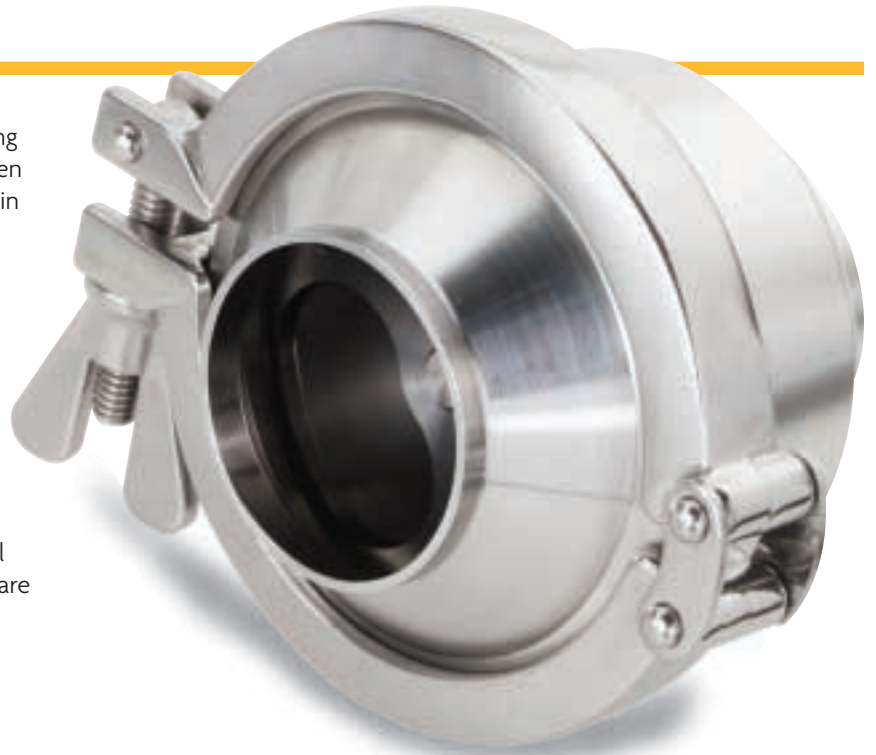




Parker sanitary check valves are utilized within processing systems to avoid product return. The disk opens when the pressure under the disc is greater than that existing in the upper part of the valve. The valve closes when the pressures are balanced. A greater counter pressure will allow the valve to close.

These valves are made from high-grade 316L heat trace-able stainless steel. When properly installed, these valves are fully drainable and meet 3A standards. Valves can be easily disassembled and re-assembled for cleaning or maintenance.

Standard configuration is sanitary clamp with EPDM seal and 32 RA sanitary polish. Weld and threaded versions are available upon special request.



TECHNICAL FEATURES

MATERIAL	- 316L Stainless steel (construction from forged parts)		
SEAL MATERIAL	- EPDM (other materials on demand)		
SURFACE FINISH	- 32 RA Mechanical Sanitary Polish		
CONNECTIONS	- Sanitary Clamp (standard), weld connection available		
WORKING TEMPERATURE	- Maximum: 121°C. (EPDM) For higher temperatures other seals will be required		
MAX PRESSURE	- 10 bar (145 PSI)		
OPENING PRESSURE	1.0" 0.3 bar (4.35 PSI)	1.5" 0.2 bar (2.9 PSI)	2.0"/4.0" 0.1 bar (1.45 PSI)

Bulletin 4270-PDCV





Performance Stainless Check Valves

PART # BREAKDOWN EXAMPLE

PDCV-2.0-C-316L-E*

PDCV - Disk Check Valve

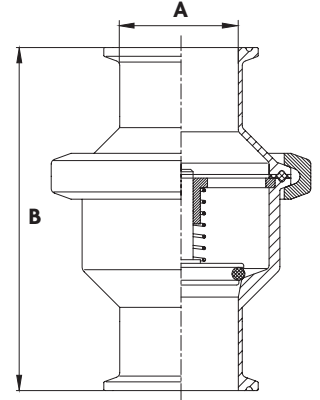
2.0 - 2"

C - Clamp Connection (W - Weld)

316L - 316L Stainless Steel

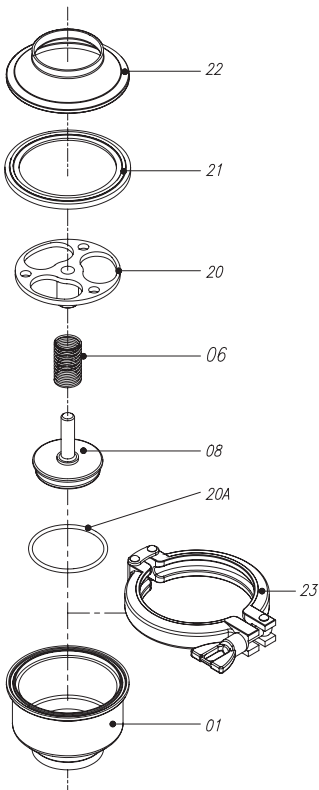
E* - (EPDM Elastomers standard)

SIZE	PART NO.	A (in)	B (in)
1.0	PDCV-1.0-C-316L-(Specify Elastomer)	0.87	5.125
1.5	PDCV-1.5-C-316L-(Specify Elastomer)	1.37	5.125
2.0	PDCV-2.0-C-316L-(Specify Elastomer)	1.87	5.125
2.5	PDCV-2.5-C-316L-(Specify Elastomer)	2.37	6.375
3.0	PDCV-3.0-C-316L-(Specify Elastomer)	2.87	7.50
4.0	PDCV-4.0-C-316L-(Specify Elastomer)	3.84	8.125



AVAILABLE ELASTOMERS	
EPDM	Standard
PTFE	PTFE
U	Buna
PX	Platinum Cured Silicone
SFY	Viton

EXPLODED VIEW



22 - Upper Body

21 - Body Gasket (EPDM Standard)

20 - Guide Plate

06 - Spring

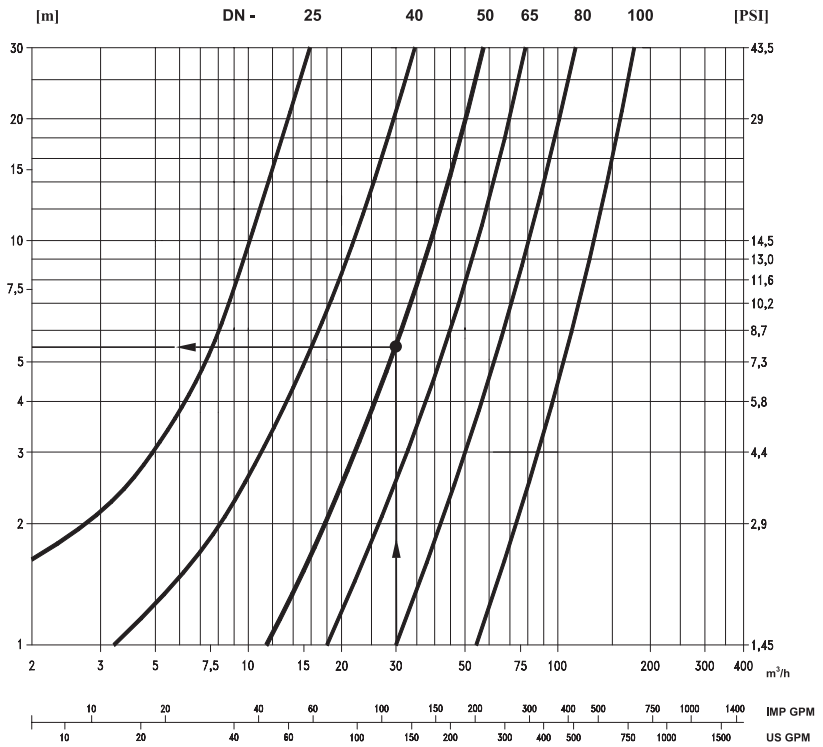
08 - Stem

20A - O-Ring (EPDM Standard)

23 - Clamp

01 - Lower Body

PRESSURE DROP DIAGRAM



Example: DN=50, Q=30 m³/h → 5,5m

The information below refers to clear water at 20°C. Tolerance + or - 5%



Parker Instrumentation Products Division
 1005 A Cleaner Way • Huntsville, AL 35805 USA
 Phone: (256) 881-2040 • Fax: (256) 881-5730
 Web Site: www.parker.com/ipdus