



Parker In-Line Sight Glasses offer processors the ability to easily monitor product flow. Sight Glasses are available in three styles for use in a wide variety of applications. Whether welded or clamped "In-Line" or welded to a tank or vessel, these Sight Glasses are manufactured from the finest grade 316L material and polished to a smooth 3A finish.

In-Line Sight Glasses are available in sizes from 1" to 4" and can be ordered with an optional Safety Shield for maximum protection. These Sight Glasses meet 3A standards and can be used in CIP environments.

A special compact version is available in 1/2" and 3/4" sizes and in a variety of surface finishes, including Electropolished.

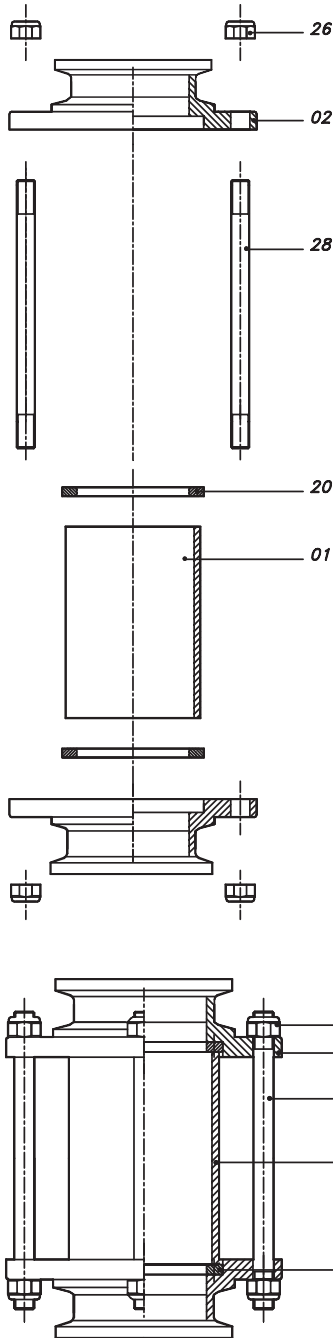


## **TECHNICAL FEATURES**

<b>MATERIAL</b>	- Stainless steel AISI-316L
<b>INSIDE SURFACE FINISH</b>	- 32 Ra (special finishes upon request)
<b>OUTSIDE SURFACE FINISH</b>	- Mechanical Polished
<b>GLASS MATERIAL</b>	- Pyrex, Tempered Glass or Polysulfone (compact version only)

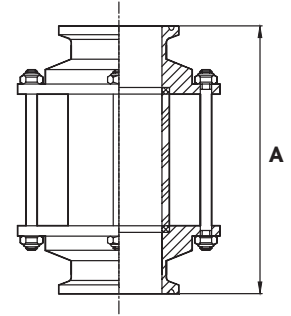
Bulletin 4270-PSG





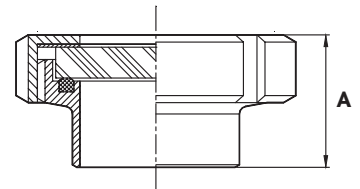
### IN-LINE SIGHT GLASS - Clamp

SIZE	PART NO.	A (in)
1.0	PSG-1.0-C-316L	4-9/16
1.5	PSG-1.5-C-316L	5-9/32
2.0	PSG-2.0-C-316L	5-7/8
2.5	PSG-2.5-C-316L	6-19/64
3.0	PSG-3.0-C-316L	6-19/64
4.0	PSG-4.0-C-316L	8-45/64



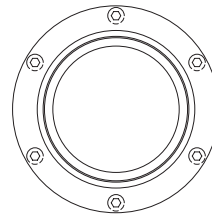
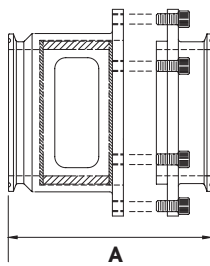
### FLAT SIGHT GLASS - Welding End

SIZE	PART NO.	A (in)
1.0	PSG-1.0-F-316L	2.0
1.5	PSG-1.5-F-316L	2.0
2.0	PSG-2.0-F-316L	2.0
2.5	PSG-2.5-F-316L	2.0
3.0	PSG-3.0-F-316L	2.0
4.0	PSG-4.0-F-316L	2.0



### COMPACT FLANGE STYLE SIGHT GLASS - Clamp

SIZE	PART NO.	A-WELD (in)	A-CLAMP (in)	Pyrex Glass Max PSI	Max PSI
0.5	PCSG-.50-C-316L	3.0	4.5	378	1740
.75	PCSG-.75-C-316L	3.0	4.5	325	524
1.0	PCSG-1.0-C-316L	3-5/8	5-1/8	215	557
1.5	PCSG-1.5-C-316L	3-5/8	5-1/8	150	354
2.0	PCSG-2.0-C-316L	3-5/8	5-1/8	130	259
2.5	PCSG-2.5-C-316L	3-5/8		100	204
3.0	PCSG-3.0-C-316L	3-5/8		95	169
4.0	PCSG-4.0-C-316L	3-5/8		60	NA
6.0	PCSG-6.0-C-316L	4-5/8		33	NA



POSITION	DENOMINATION	MATERIAL	QUANTITY
01	Body	Pyrex	1
02	Lateral	AISI-316	2
20	Seal	Silicone	2
26	Self Locking Nuts	A2	8
28	Pin	AISI-304	4

### ACCESSORIES / REPLACEMENTS PARTS

Replacement Glass



Part #: PRSG-(Size)

Safety Screen



Part #: PSGSC-(Size)

Silicone Seal (2)



Part #: PSGS-(Size)