

Tube Ended Pressure Gauges

For Industrial and Process Applications

- Eliminates gauge positioning problems in systems with an NPT connection; including “workarounds”, damage due to over-tightening, and leaks from under-made connections.
- Reduces connections for fewer potential leak paths and faster installation.
- Allows for easy 360° gauge positioning and reduces installation costs.
- Compact design saves space.
- Eliminates pipe tape and other sealants/contaminants.



anything  Possible.™

Problems Installing Pressure Gauges? Align with Parker.

No leaks. No damage. No sweat. Parker Tube Ended Pressure Gauges really take the pressure off when mating to a piping or tubing system with an NPT connection. The compact design speeds installation, eliminating "work-arounds," as well as over- or under-tightened connections.

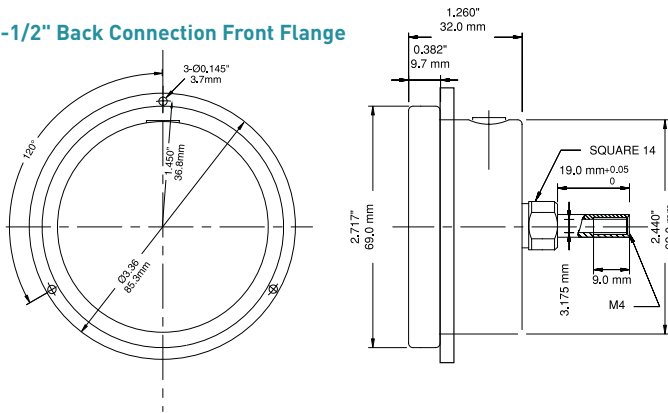
Parker Tube Ended Pressure Gauges monitor vacuum, compound, and positive system pressures up to 1000 psig. Available in lower mount and center back mount configurations, these 360°-positionable gauges are perfect for applications where space is at a premium.

Not only do our Tube Ended Gauges do away with additional fittings; they completely eliminate the need for tape and sealants, making installation cleaner and quicker.

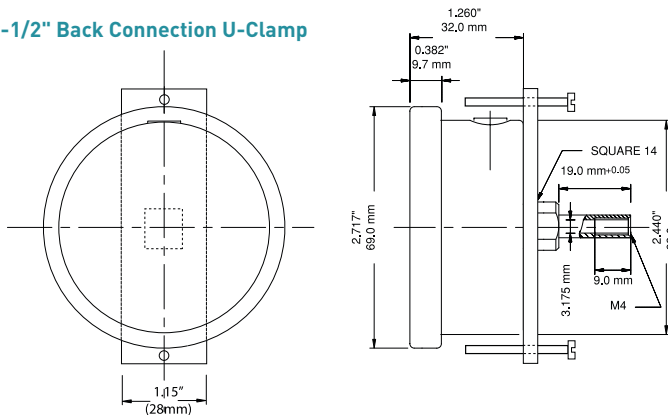


| Specifications | |
|---------------------|-------------------------------|
| Item | Material |
| Dial | 2-1/2" (63 mm) Aluminum |
| Case | 304 Stainless Steel |
| Lens | Polycarbonate |
| Ring | 304 Stainless Steel |
| Pointer | Aluminum (black anodized) |
| Block | 316 Stainless Steel |
| Socket | 316 Stainless Steel |
| Connection | 1/4" A-Lok® Tube Stub |
| Bourdon Tube | 316 Stainless Steel |
| Movement | 304 Stainless Steel |
| Gasket Material | Neoprene |
| Fill Fluid | Glycerin |
| Protection | IP65 |
| Over Pressure Limit | 115% Full Scale |
| Working Pressure | 75% Full Scale |
| Temperature Rating | 14°F to 150°F (-10°C to 65°C) |
| Accuracy | 1.5% Full Scale |

2-1/2" Back Connection Front Flange



2-1/2" Back Connection U-Clamp



| Pressure Range | Part Number | |
|-----------------------------|---------------|---------------|
| | Lower Mount | Back Mount |
| 30" Hg vacuum/kpa | PG2-L-4-VAC | PG2-B-4-VAC |
| 30" Hg vacuum/kpa to 30 psi | PG2-L-4-30VAC | PG2-B-4-30VAC |
| 0-30 psi/kpa | PG2-L-4-30 | PG2-B-4-30 |
| 0-60 psi/kpa | PG2-L-4-60 | PG2-B-4-60 |
| 0-100 psi/kpa | PG2-L-4-100 | PG2-B-4-100 |
| 0-160 psi/kpa | PG2-L-4-160 | PG2-B-4-160 |
| 0-300 psi/kpa | PG2-L-4-300 | PG2-B-4-300 |
| 0-1000 psi/kpa | PG2-L-4-1000 | PG2-B-4-1000 |

| Mounting Kits | |
|------------------|-------------|
| Kit | Part Number |
| U-Clamp Kit | KIT-PG2-U |
| Front Flange Kit | KIT-PG2-F |

NOTE: U-Clamp Kit includes bracket and required bolts.

Questions on Tube Ended Pressure Gauges? Contact your authorized Parker Instrumentation distributor, or the Parker Instrumentation Division at **256-881-2040**.

Parker Hannifin Corporation
Instrumentation Products Division
 1005 A Cleaner Way
 Huntsville, AL 35805 USA
 Phone: (256) 881-2040
 Fax: (256) 881-5072
 www.parker.com/ipdus

Distributed By:

